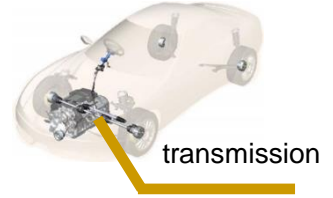


Ultra Long Life Bearing for Planetary Gear

Contribute to Unit Downsizing and Lightweight by Improving Bearing life



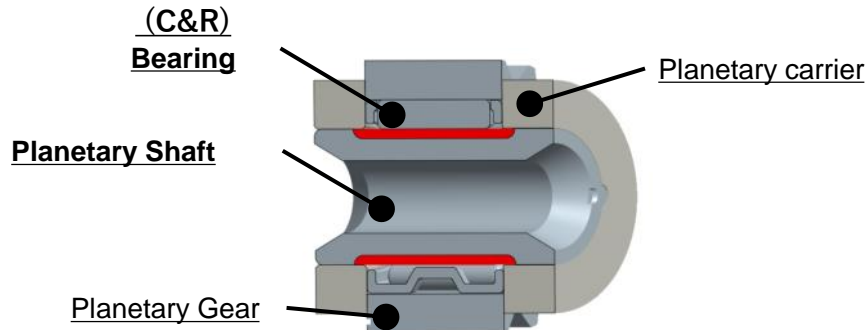
Features

Achieve Long Life by increasing Shaft Raceway Hardness which is applied by Surface Modification

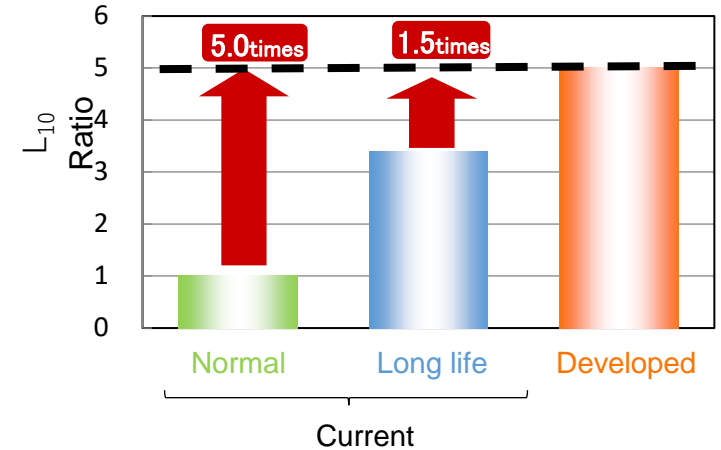
【Characteristics of each specification】

Bearing specification	Current		Developed
	Normal	Long life	Ultra long life
Shaft	Induction hardening & tempering	Special heat treatment	Special heat treatment
			Surface modification

With Special Heat treatment Roller



Effect



< Downsize Study Example >

